

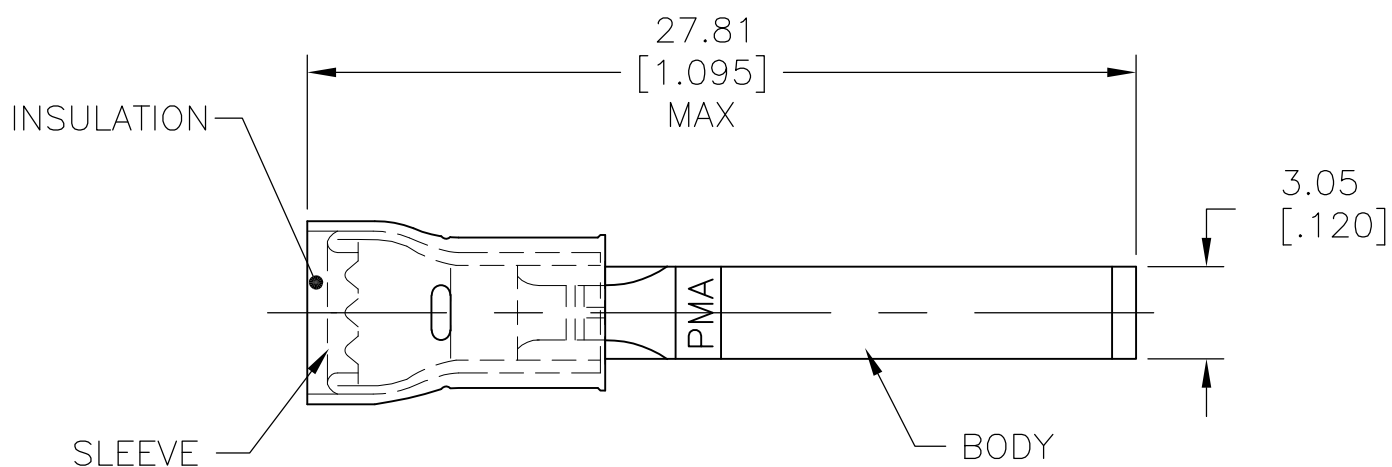
THIS DRAWING IS UNPUBLISHED.

RELEASED FOR PUBLICATION

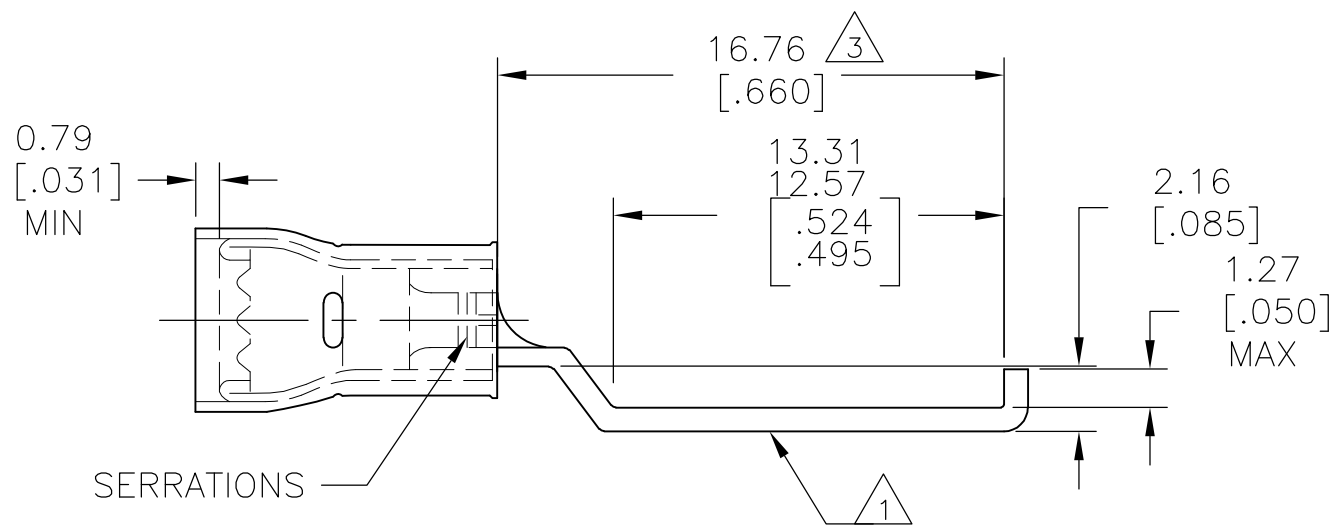
© COPYRIGHT - By -

ALL RIGHTS RESERVED.

LOC	DIST	REVISIONS					
		P	LTR	DESCRIPTION	DATE	DWN	APVD
E	-		A1	REVISED PER ECO-11-016594	17AUG11	HMR	DR



- 1 TONGUE MATERIAL THK=0.79[.031].
- 2 WIRE INSUL.DIA. 2.67-3.36[.105-.140], TO SUIT 3.68[.154].
- 3 FROM EDGE OF METAL WIRE BBL TO EDGE OF LIP.
- 4 WIRE RANGE: 22-16 AWG



THIS DRAWING IS A CONTROLLED DOCUMENT.		DWN RAGHAVENDRA 17AUG2011	STE TE Connectivity				
DIMENSIONS: mm [INCHES]		CHK DANIEL ROHDE 17AUG2011					
TOLERANCES UNLESS OTHERWISE SPECIFIED:		APVD DANIEL ROHDE 17AUG2011	NAME				
		PRODUCT SPEC	ASSY TERMINAL BLADE				
		APPLICATION SPEC	SIZE	CAGE CODE	DRAWING NO	RESTRICTED TO	
MATERIAL BODY & SLEEVE: Cu PER ASTM B152 INSULATION: PVC-RED		FINISH TIN PER ASTM B545	WEIGHT -	A3	00779	C-154708	-
CUSTOMER DRAWING			SCALE 4:1	SHEET 1 OF 1	REV A1		